



460–470nm 1W High Power LED Product Description

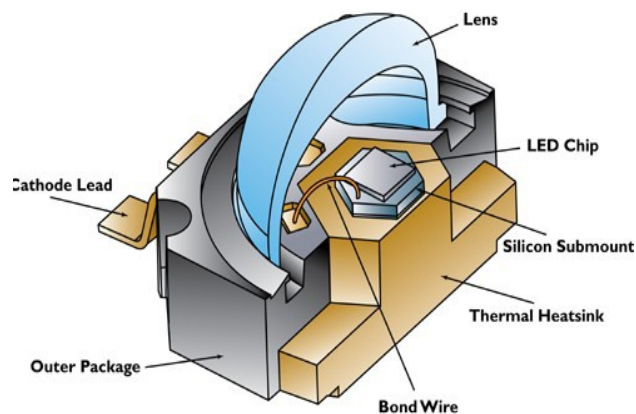
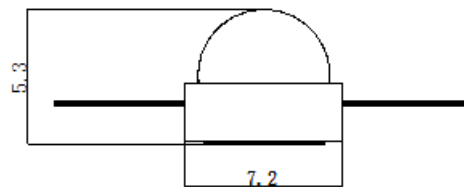
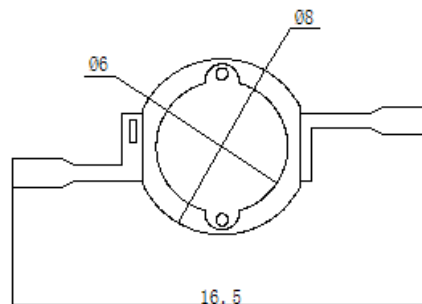
***Imitation Lumens 3w**

*High Quality high efficiency, high brightness

*Low thermal resistance, long server time

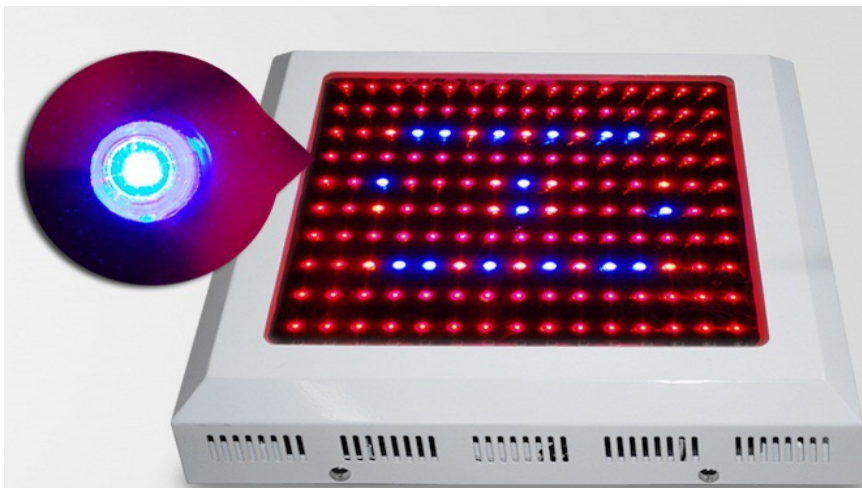
*With environmental requirements

- Mechanical Dimension



Applications:

Plant Grow/Cabinet/Tank/Aquarium



Absolute Maximum Rating(At TA=25°C)

Parameter	Symbol	Max. Value	Unit
DC Forward Current	IF	350	mA
Peak Forward Current	IFP	1000	mA
Reverse Voltage(V)	VR	5	V
Operating Temperature	Topr	-20~+75	°C
Storage Temperature	Tstg	-30~+80	°C

Electrical/Optical Characteristics (At TA=25°C)

Parameter	Symb ol	Conditions	Min	Avg	Max	Units
Forward Voltage	Vf	IF=700MA	3.0		3.6	V
Reverse Current	IR	VR=5V			0.5	μA

50% Power Angle	201/2	IF=700MA		120		deg
color coordinate	X	IF=700MA				
	Y					
Wavelength	λ_D	IF=700MA	460		465	nm
Luminous Flux	Φ_V	IF=700MA		25		LM

Typical Electro-Optical Characteristics Curves

